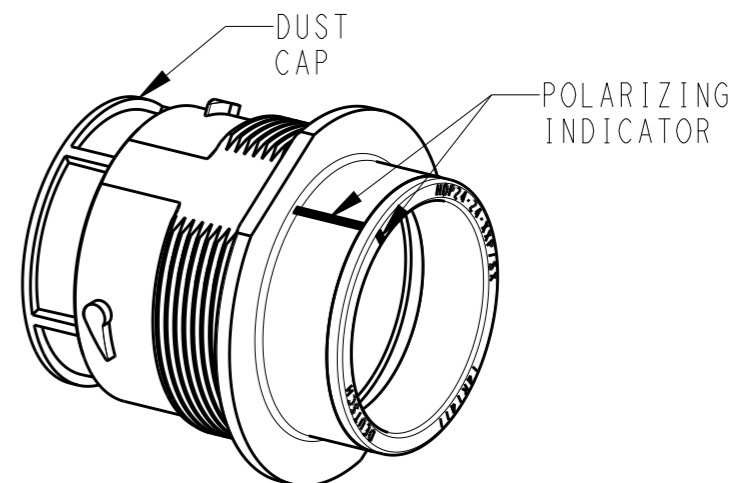
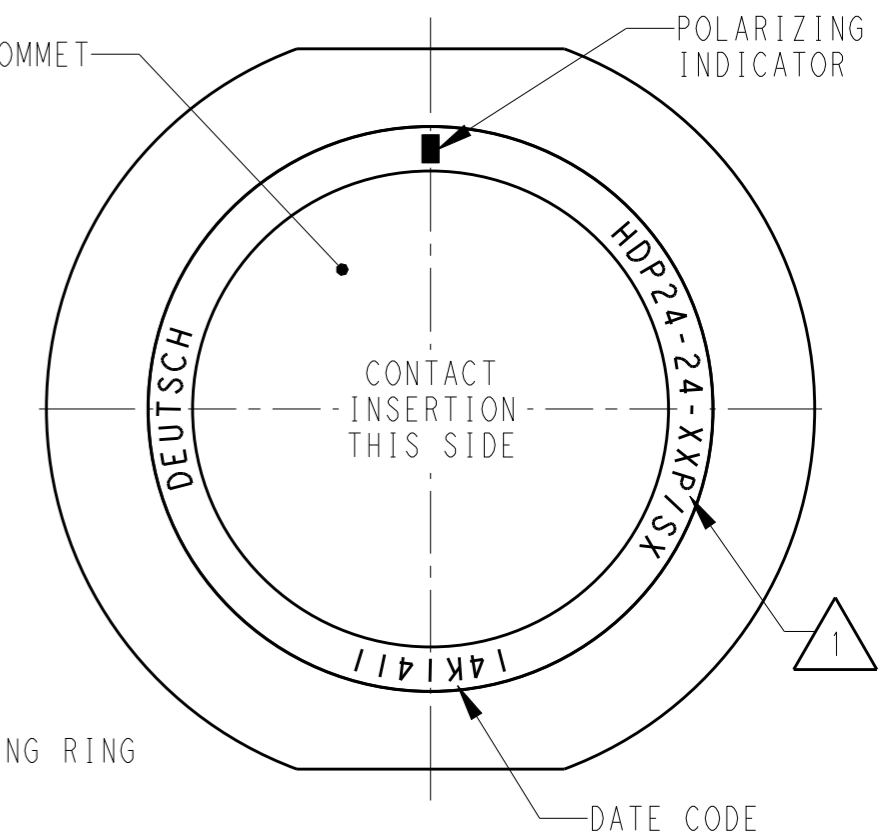
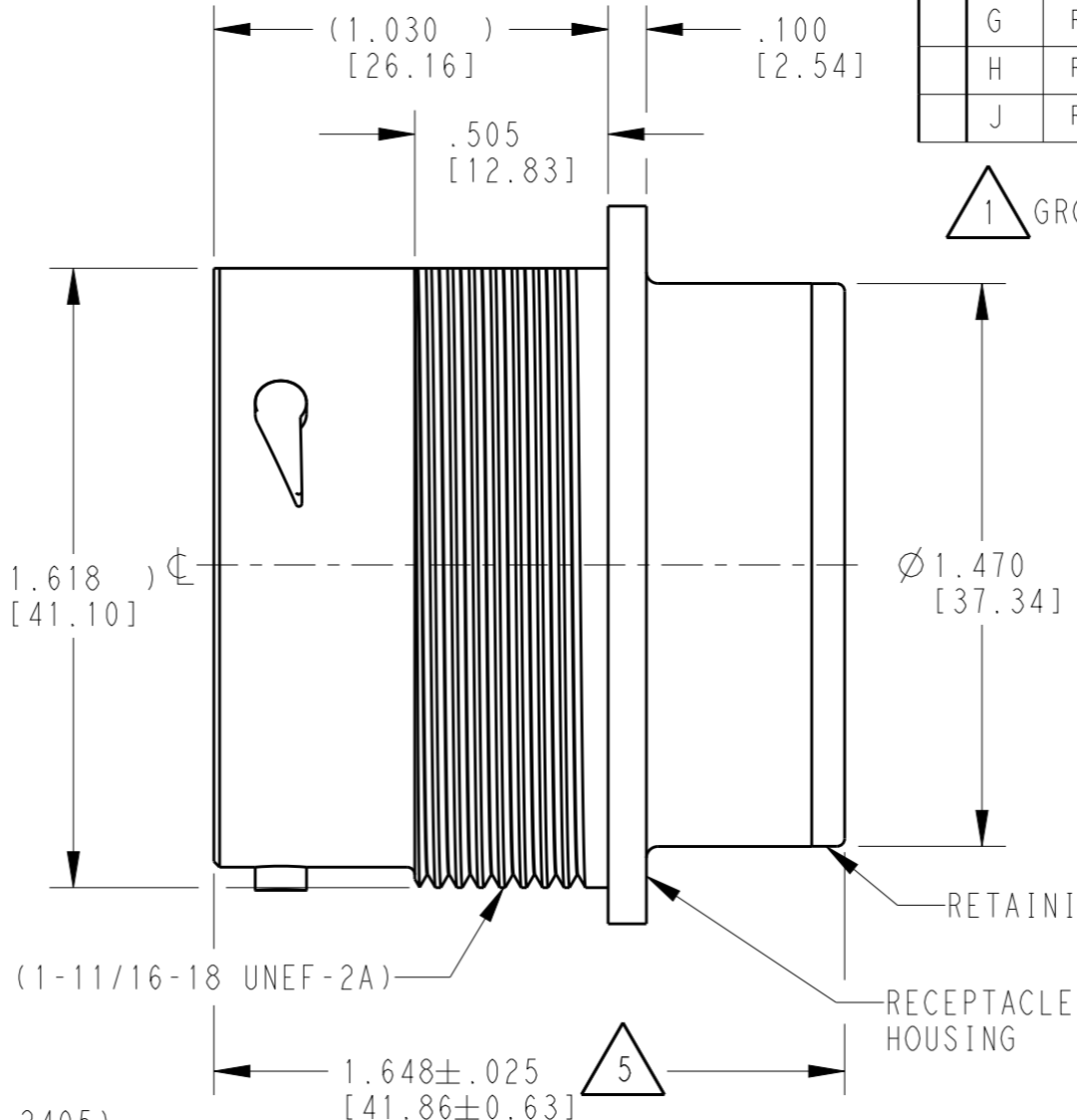
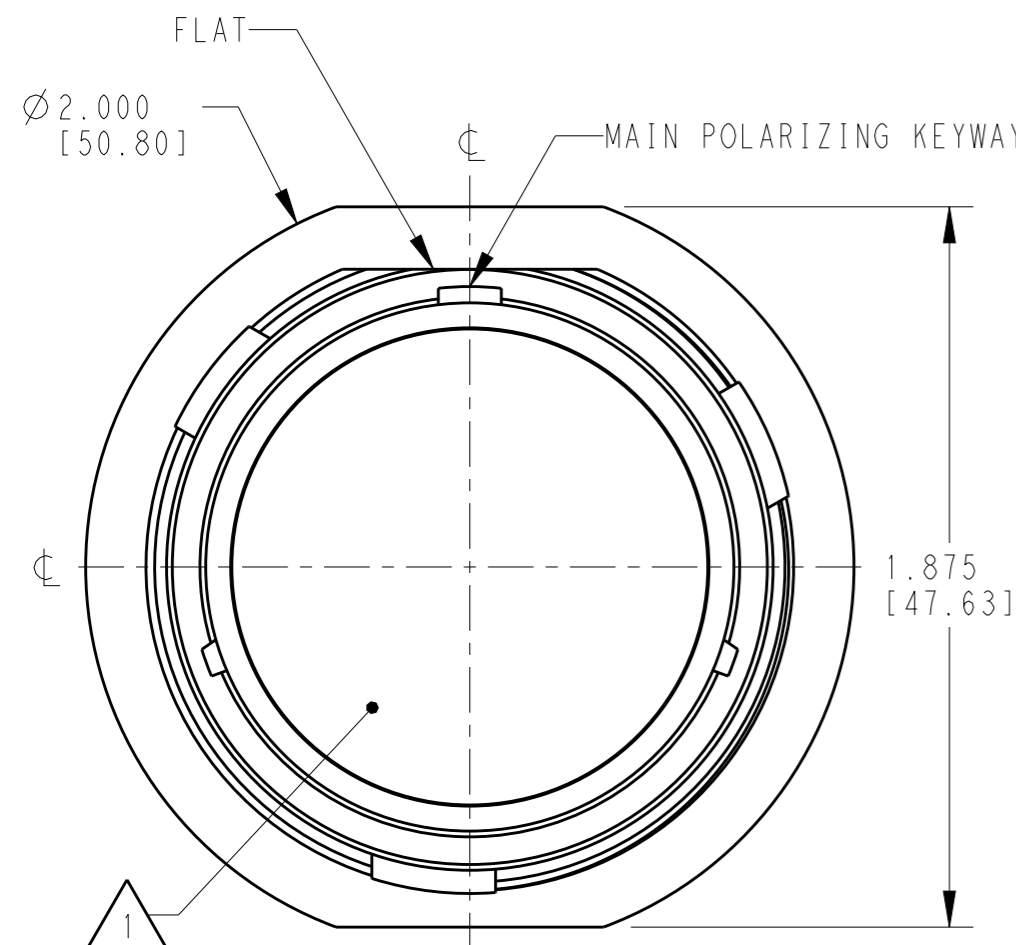


P	LTR	DESCRIPTION	DATE	DWN	APVD
F		REVISED PER E.O. P18119	14APR2003	AR	RDR
G		REVISED PER E.O. P18449	04FEB2004	XS	RDR
H		REVISED PER E.O. P21391	15JUN2012	AM	RDR
J		REVISED PER ECO-14-019072	23FEB2015	JA	DM



6. RECEPTACLE IS SUPPLIED WITH DUST CAP (2415-001-2405).

5 NOTED DIMENSION DOES NOT INCLUDE GROMMET PROTRUSION.

4 MATERIAL: RECEPTACLE HOUSING: PA66 GF10 (BLACK)  
 RETAINER RING: PA66 GF10 (GREEN, GRAY, BLUE)  
 GROMMET: SILICONE (ORANGE-RED)

3 SEE 0425-021-0000 APPLICATION SPECIFICATION  
 A. RECOMMENDED WIRE INSULATION RANGE  
 B. CONTACT REMOVAL TOOLS  
 C. RECOMMENDED MOUNTING HOLE & PANEL THICKNESS  
 D. MOUNTING HARDWARE & MOUNTING TORQUE.

2. THIS RECEPTACLE MATES WITH HDP26-24-XXP/SX-XXXX PLUG  
 X = SEAL TYPE (N,T,E)  
 XX = INSERT ARRANGEMENT  
 XXXX = MODIFICATION

1 SEE CUSTOMER DRAWING, 0425-014-2400 FOR AVAILABLE INSERT ARRANGEMENTS AND PART NUMBERS.

NOTES:

THIS DRAWING IS A CONTROLLED DOCUMENT.		DWN	03MAR2000	 TE Connectivity	NAME RECEPTACLE, THREADED SIZE 24 HDP SERIES												
DIMENSIONS: INCHES [mm]		CHK	04FEB2004														
TOLERANCES UNLESS OTHERWISE SPECIFIED:		APVD	16JAN2004														
<table border="0"> <tr> <td>0 PLC</td> <td>±</td> </tr> <tr> <td>1 PLC</td> <td>±</td> </tr> <tr> <td>2 PLC</td> <td>±</td> </tr> <tr> <td>3 PLC</td> <td>±.015 [0.38]</td> </tr> <tr> <td>4 PLC</td> <td>±</td> </tr> <tr> <td>ANGLES</td> <td>±0°30'0"</td> </tr> </table>		0 PLC	±	1 PLC	±	2 PLC	±	3 PLC	±.015 [0.38]	4 PLC	±	ANGLES	±0°30'0"	PRODUCT SPEC	0425-021-0000	SIZE	A3
0 PLC	±																
1 PLC	±																
2 PLC	±																
3 PLC	±.015 [0.38]																
4 PLC	±																
ANGLES	±0°30'0"																
MATERIAL		APPLICATION SPEC	3	CAGE CODE	4AFU8												
FINISH		WEIGHT	N/A	DRAWING NO	HDP24-24-XXP/SX												
Customer Drawing		SCALE 2:1		SHEET	1 OF 1												
		REV		J													